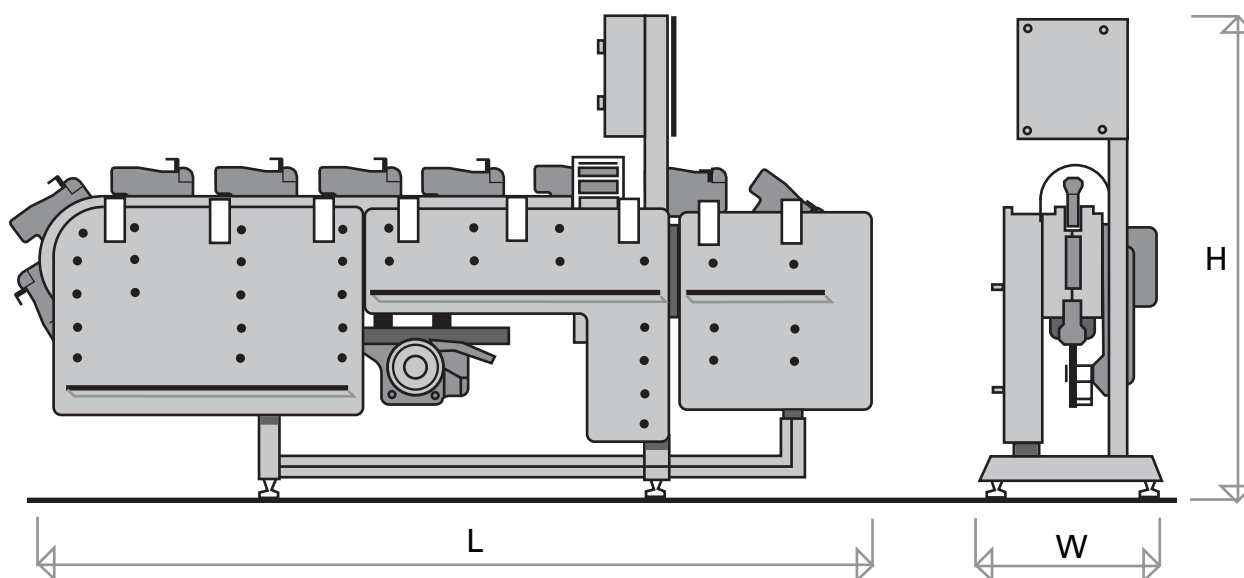


# Meyn BC40 breast cap filleting machine



Technical Data Sheet

Capacity	BPH	2,400
Product weight	gr	300-700
Length (L)	mm	2,840
Width (W)	mm	610
Height (H)	mm	1,700
Weight	kg	800
Electric power installed	kW	1x 1.5
Compressed air connection	BSP	1/4"
Compressed air consumption	m <sup>3</sup> /hr	0.04
Water connection (for cleaning)	BSP	3/8"

## Head office:

Meyn Food Processing Technology B.V.  
 Noordeinde 68, 1511 AE Oostzaan  
 P.O. Box 16, 1510 AA Oostzaan  
 The Netherlands

**T:** +31 (0) 75 - 684 3355  
**F:** +31 (0) 75 - 684 4150  
**I:** www.meyn.nl

**MEYN**

Poultry Processing Solutions

# Meyn BC40 breast cap filleting machine

- Products show a very high yield.
- Large weight range to be processed.
- Can easily be integrated.

